

banks

with Installation Instructions
Owner's Manual

Banks Monster[®] Sport Exhaust System

**2003-2004 Dodge 5.9L Cummins
ISB Pickup Trucks**

THIS MANUAL IS FOR USE WITH SYSTEM 48777

Gale Banks Engineering
546 Duggan Avenue • Azusa, CA 91702
(626) 969-9600 • Fax (626) 334-1743

Product Information & Sales: (888) 635-4565

bankspower.com

General Installation Practices

Dear Customer,

If you have any questions concerning the installation of your Banks Power System, please call our Technical Service Hotline at (888) 839-2700 between 7:00 am and 5:00 pm (PT). If you have any questions relating to shipping or billing, please contact our Customer Service Department at (888) 839-5600.

Thank you.

1. For ease of installation of your Banks system, familiarize yourself with the procedure by reading the entire manual before starting work.
2. The exploded view (**Figure 1**) provides only general guidance. Refer to each step and section diagram in this manual for proper instruction.
3. Throughout this manual, the left side of the vehicle refers to the driver's side, and the right side to the passenger's side.
4. Disconnect the ground cable from the battery (or batteries, if there are two) before beginning work.

5. Route and tie wires and hoses a minimum of 6" away from exhaust heat, moving parts and sharp edges. Clearance of 8" or more is recommended where possible.

6. When raising the vehicle, support it on properly weight-rated safety stands, ramps or a commercial hoist. Follow the manufacturer's safety precautions. Take care to balance the vehicle to prevent it from slipping or falling. When using ramps, be sure the front wheels are centered squarely on the topsides; put the transmission in park; set the hand brake; and place blocks behind the rear wheels.

Caution! Do not use floor jacks to support the vehicle while working under it. Do not raise the vehicle onto concrete blocks, masonry or any other item not intended specifically for this use.

7. During installation, keep the work area clean. Do not allow anything to be dropped into intake, exhaust, or lubrication system components while performing the installation, as foreign objects will cause immediate engine damage upon start-up.

Tools Required:

- 1/2" and 3/8" drive ratchets with inch and metric sockets and 1/2" and 3/8" drive extension
- Inch and metric combination or open-end wrenches
- Standard screwdriver
- Clean shop towels or rags
- Pry-bar
- Reciprocating saw

Highly recommended tools and supplies:

- Inch-pound and foot-pound torque wrenches
- Compressed air source and hose
- Air pressure regulator
- Penetrating oil or light lubricant spray

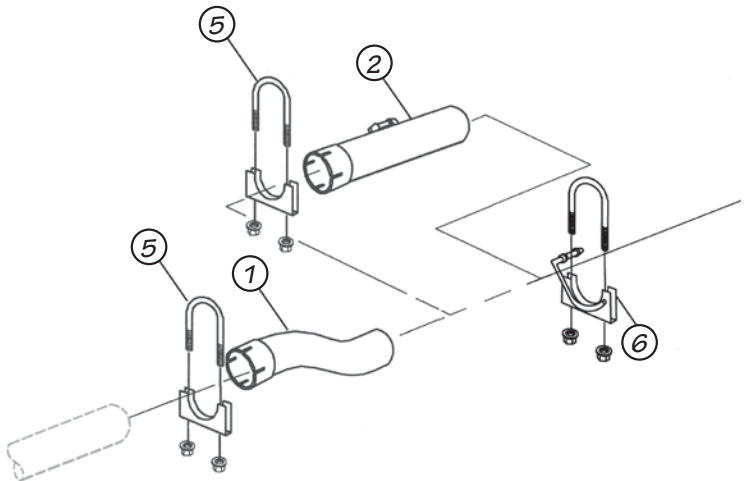
General Assembly Diagram

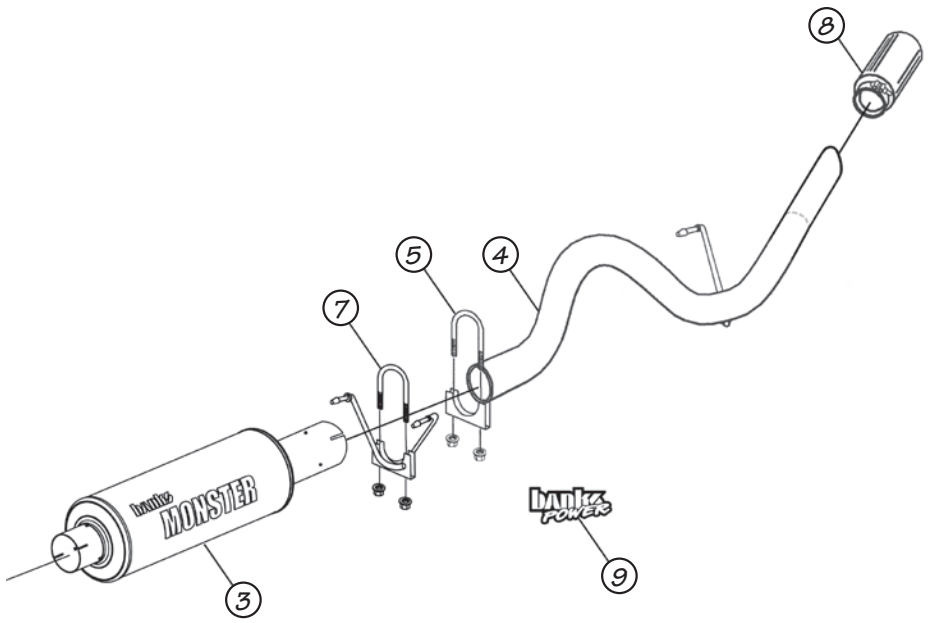
Figure 1

Item	Description	P/N	Qty.
1*	Intermediate Pipe	53273	1
2	Extension Pipe (Quad-Cab, Long Bed Models)	53276	1
3	Monster Muffler	53811	1
4	Monster Tailpipe	53461	1
5**	Exhaust Clamp, 4"	52470	3
6	Hanger Clamp, Front	53279	1
7	Hanger Clamp, Rear	53280	1
8	Tailpipe Tip (Optional)	52383	1
9	Banks Urocal	96009	2

* Only for Trucks with a Catalytic Converter

** Quad-Cab, Long Bed models contain three (3) 4" Exhaust Clamps.





Monster Sport Exhaust System Installation

1. As a precaution, disconnect the ground of the battery (if there is more than one battery, disconnect both).
2. Raise the vehicle and support it with properly weight rated safety stands, ramps or a commercial hoist. Follow the manufacturer's safety precautions. Take care to balance the vehicle to prevent it from slipping or falling. When using ramps, be sure the front wheels are centered squarely on the topsides; place the transmission in park; set the parking brake and place blocks behind the rear wheels.

CAUTION: DO NOT WORK UNDER ANY VEHICLE SUPPORTED ONLY BY A JACK. SEVERE INJURY MAY RESULT.

WARNING! The following step requires the use of a torch and/or saw. Proper safety equipment should be used. Failure to use proper safety equipment may result in severe injury.

3. From under the vehicle, remove the factory exhaust system up to the intermediate pipe. Starting at the rear of the vehicle, remove each component by either cutting through the pipe near the clamps or by removing the clamps and heating the joints with an oxy-acetylene torch to allow crimped pipes to separate.

DO NOT CUT OR DAMAGE CATALYTIC CONVERTER TUBING DURING THE REMOVAL PROCESS.

Remove the hanger pins from the rubber hangers with a pry bar. (Spray lubricant will ease hanger removal.)

4. Place a supplied 4" clamp onto the front of the supplied intermediate pipe. Install the intermediate pipe onto the catalytic converter outlet or the front intermediate pipe. Lightly snug the exhaust clamp near the rim of the intermediate pipe.

5. *For quad cab long bed (160.5" wheelbase) models only:* Place a supplied 4" clamp onto the front of the supplied extension pipe. Install the extension pipe hanger pin into the corresponding rubber hanger. Connect the extension pipe onto the intermediate pipe and loosely snug the 4" clamp.

6. Install the front hanger clamp onto the Monster Muffler inlet. Install the muffler inlet onto the intermediate pipe. With the hanger facing the rear of the vehicle, insert the front hanger into the vehicle's rubber grommet.

7. Install the rear hanger clamp onto the Monster Muffler outlet with the hanger pins facing forward. Install the two (2) rear hanger pins into the vehicle's rubber grommets. Orient the Banks Monster logo to be level with the frame rail. Install a 4" clamp onto the muffler outlet.

8. Route the tailpipe over the rear axle housing and into the muffler outlet. Install the tailpipe hanger pin into the corresponding rubber hanger.

Note: If installing optional tailpipe tip, cut off 4" from the tailpipe outlet before installing the tailpipe into Banks Monster Muffler. See Figure 2.

If not installing the optional Banks Tailpipe Tip, skip to step 11.

9. Insert the optional tailpipe tip over the tailpipe outlet. Adjust the tip past the edge of the body or where aesthetically pleasing. Torque the band clamp to 35 ft-lb.

10. Remove the protective covering from the tailpipe tip.

CAUTION: The protective covering may ignite and burn if not removed prior to running the engine.

11. With everything positioned properly, begin to tighten the clamps starting with the ones closest to the turbo and working your way back. Torque the V-band clamp to 80 in-lbs (not ft-lbs). Evenly torque the exhaust clamps to 35 ft-lbs. Torque the $\frac{7}{16}$ " hardware to 48 ft-lbs. Make sure that each slip is fully inserted (+/- $\frac{1}{4}$ inch) and that all mount hangers are in the forward position (see **Figure 3**).

12. Your system includes two (2) Banks power logos. The logos can be mounted $\frac{1}{2}$ " to 1" above the "Cummins Turbo Diesel" emblem on the driver-side and passenger-side front fenders.

13. Re-connect battery terminals if previously removed. Banks Monster Exhaust installation is now complete.

Figure 2

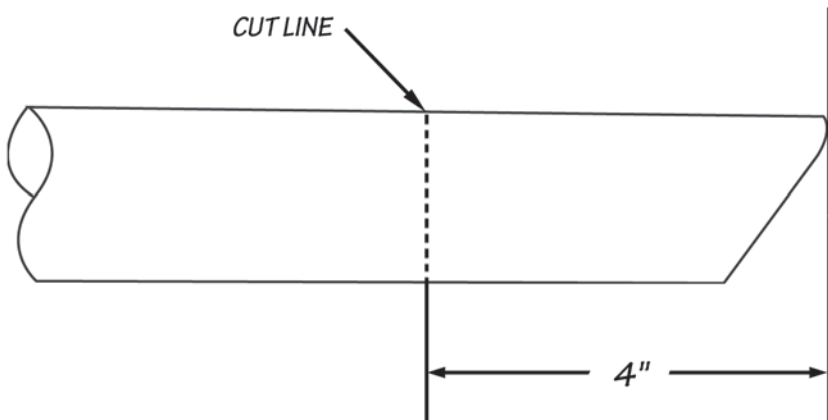
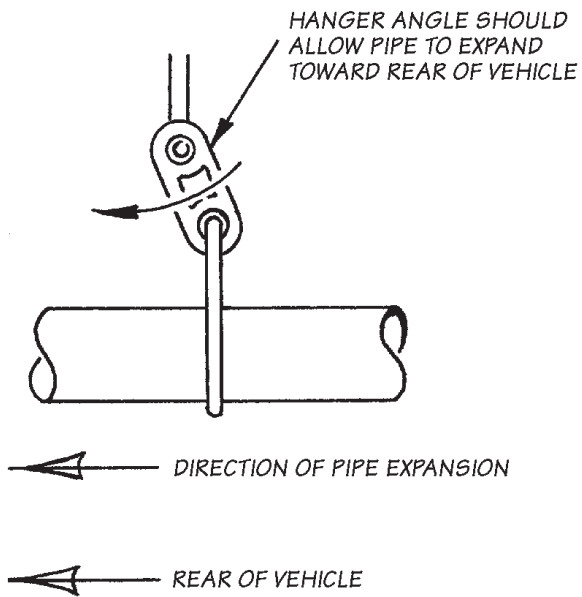


Figure 3



Gale Banks Engineering
546 Duggan Avenue • Azusa, CA 91702
(626) 969-9600 • Fax (626) 334-1743

Product Information & Sales: (888) 635-4565

bankspower.com