

banks

with Installation Instructions

Owner's Manual

Banks Exhaust Extension Kit

2005 GM 8.1L Workhorse Chassis, W-Series, Class-A Motorhomes

THIS MANUAL IS FOR USE WITH SYSTEMS 49540-49542 ,53689

Gale Banks Engineering
546 Duggan Avenue • Azusa, CA 91702
(626) 969-9600 • Fax (626) 334-1743

Product Information & Sales: (800) 438-7693
Customer Support: (888) 839-5600
Installation Support: (888) 839-2700

bankspower.com

General Installation Practices

Dear Customer,

If you have any questions concerning the installation of your Banks extension kit, please call our Technical Service Hotline at (888) 839-2700 between 7:00 am and 5:00 pm (PT). If you have any questions relating to shipping or billing, please contact our Customer Service Department at (888) 839-5600.

Thank you.

1. For ease of installation of your Banks extension kit, familiarize yourself with the procedure by reading the complete instructions before starting work.
2. Throughout this manual, the left-side of the vehicle refers to the driver's side, and the right-side to the passenger's side.
3. Disconnect the ground cable from the battery before beginning work. If there are two batteries, disconnect both.
4. Route and tie wires and hoses a minimum of 6 inches away from exhaust heat, moving parts and sharp edges. Clearance of 8 inches or more is recommended where possible.
5. During installation, keep the work area clean. If foreign debris is

transferred to any Banks system component, clean it thoroughly before installing.

6. When raising the vehicle, support it on properly weight-rated safety stands, ramps or a commercial hoist. Follow the manufacturer's safety precautions. Take care to balance the motorhome to prevent it from slipping or falling. When using ramps, be sure the front wheels are centered squarely on the topsides; put the transmission in park; set the hand brake; and place blocks behind the rear wheels.

Caution! Do not use floor jacks to support the vehicle while working under it. Do not raise the vehicle onto concrete blocks, masonry or any other item not intended specifically for this use.

Tools Required

- 1/2" and 3/8" drive ratchets with standard and metric sockets and 1/2" and 3/8" drive extension
- Standard and metric combination or open-end wrenches
- Standard screwdriver
- Clean shop towels or rags
- Pry-bar

Highly recommended tools and supplies:

- Foot-pound torque wrench
- Penetrating oil or light lubricant spray

Installation Instructions

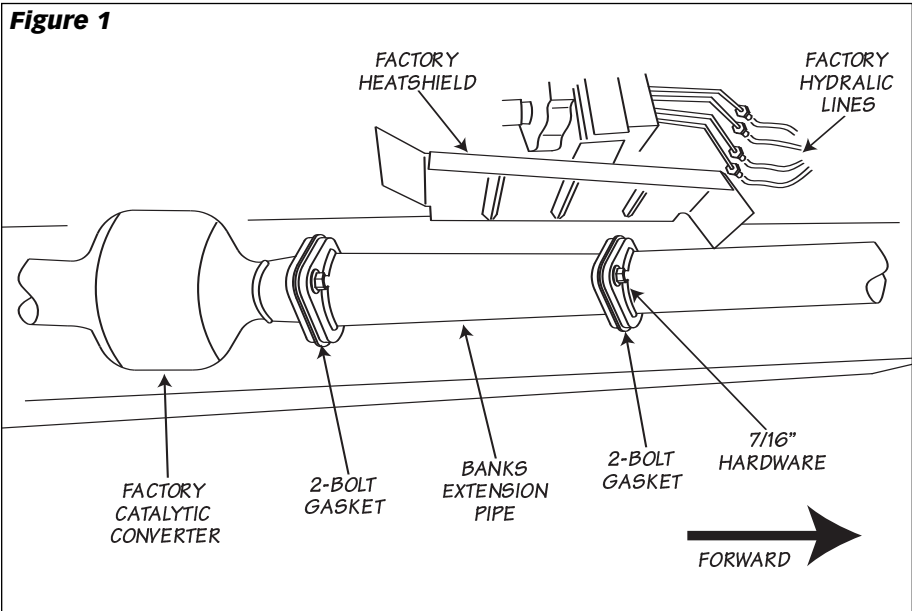
1. Refer to Owners Manual 96431 for PowerPack, TorqueTube and Stinger installation. This instruction sheet is only for 2005 GM 8.1L Workhorse W-series Motorhomes with offset catalytic converters flanges. The left (driver's side) Catalytic Converter flange should be 11" further to the rear of the coach than the right flange (flange is about 1" in front of left cat).

2. Collect the 2-bolt gasket, (2) 7/16" bolts, (2) 7/16" nuts and (4) 7/16" washers from the PowerPack/TorqueTube kit. With the TorqueTubes

and head pipes installed, attach the 2-bolt gasket to the left headpipe. Loosely install the 7/16" hardware onto the headpipe and extension pipe assembly (see **Figure 1** below).

3. Install extension kit's 2-bolt gasket onto the left catalytic converter inlet. Connect the catalytic converter inlet, gasket and extension pipe using the 7/16" hardware.

4. Install the remaining Banks Power products. Torque the 7/16" hardware to 50 ft-lbs.



Gale Banks Engineering
546 Duggan Avenue • Azusa, CA 91702
(626) 969-9600 • Fax (626) 334-1743

Product Information & Sales: (800) 438-7693
Customer Support: (888) 839-5600
Installation Support: (888) 839-2700

bankspower.com